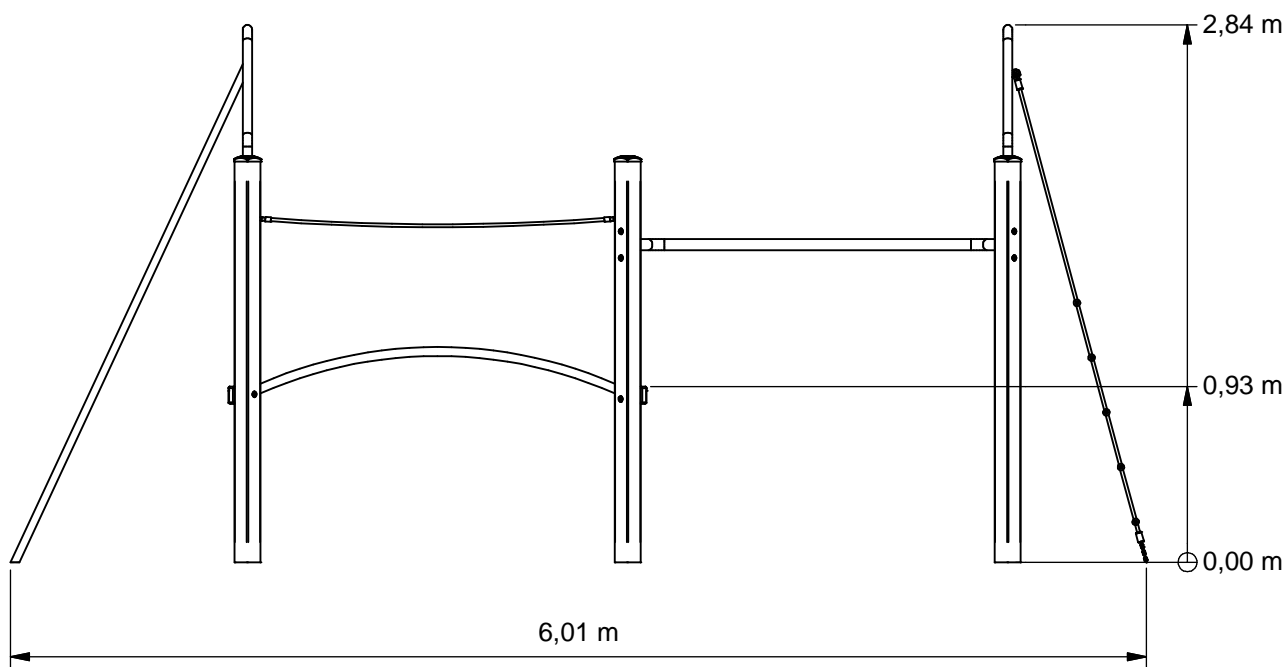
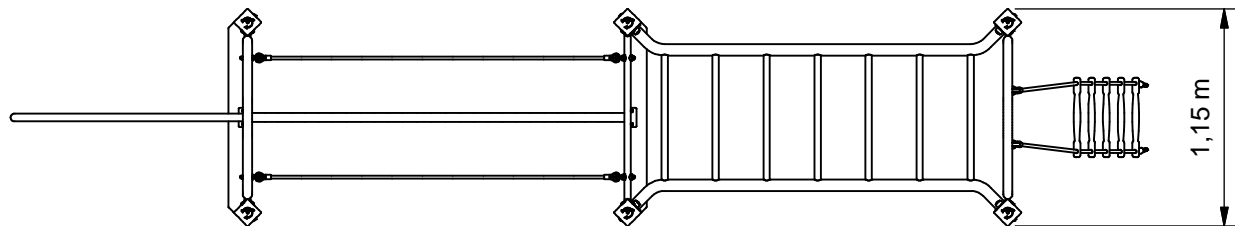




Combination equipment



VRBE080.953



Benaming
Title Vrijbuiters

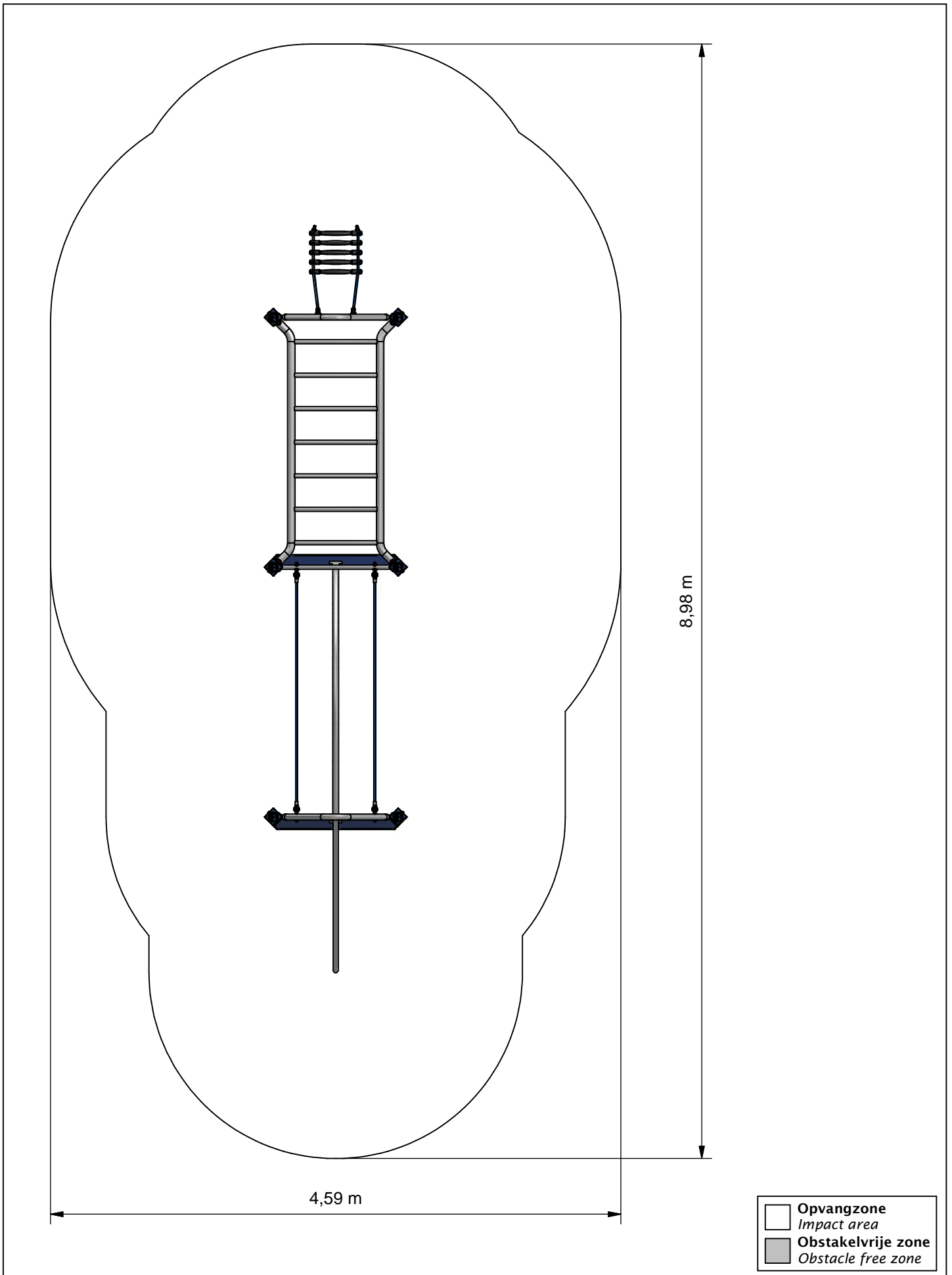
Opmerking
Comment Hardhout

Datum
Date 23-8-2012

Tekening
Drawing

TOE VRB 080 953 A

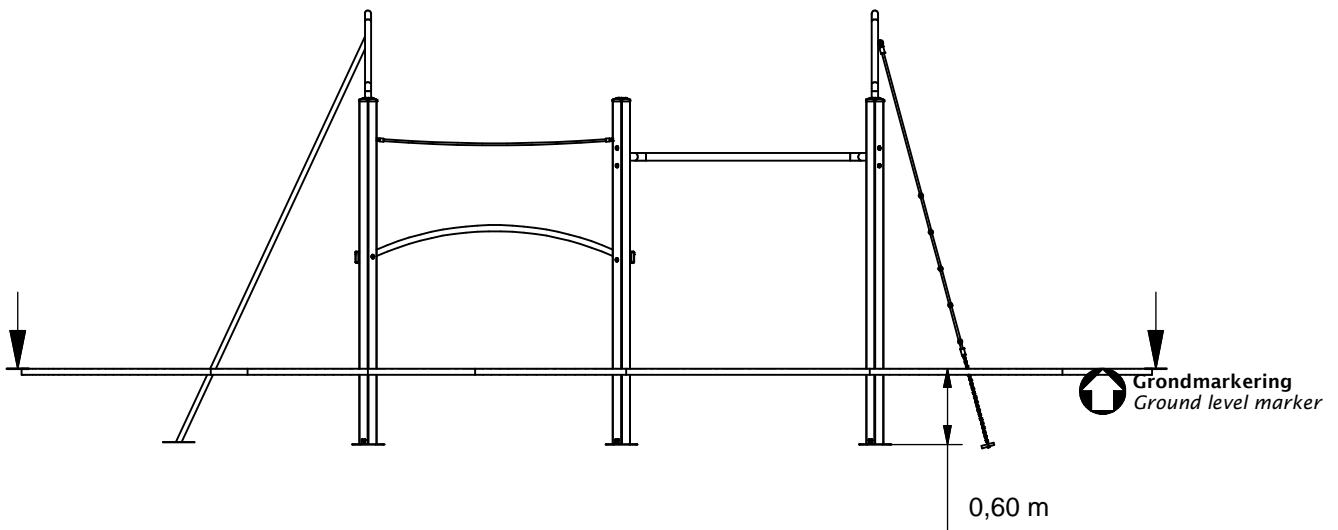
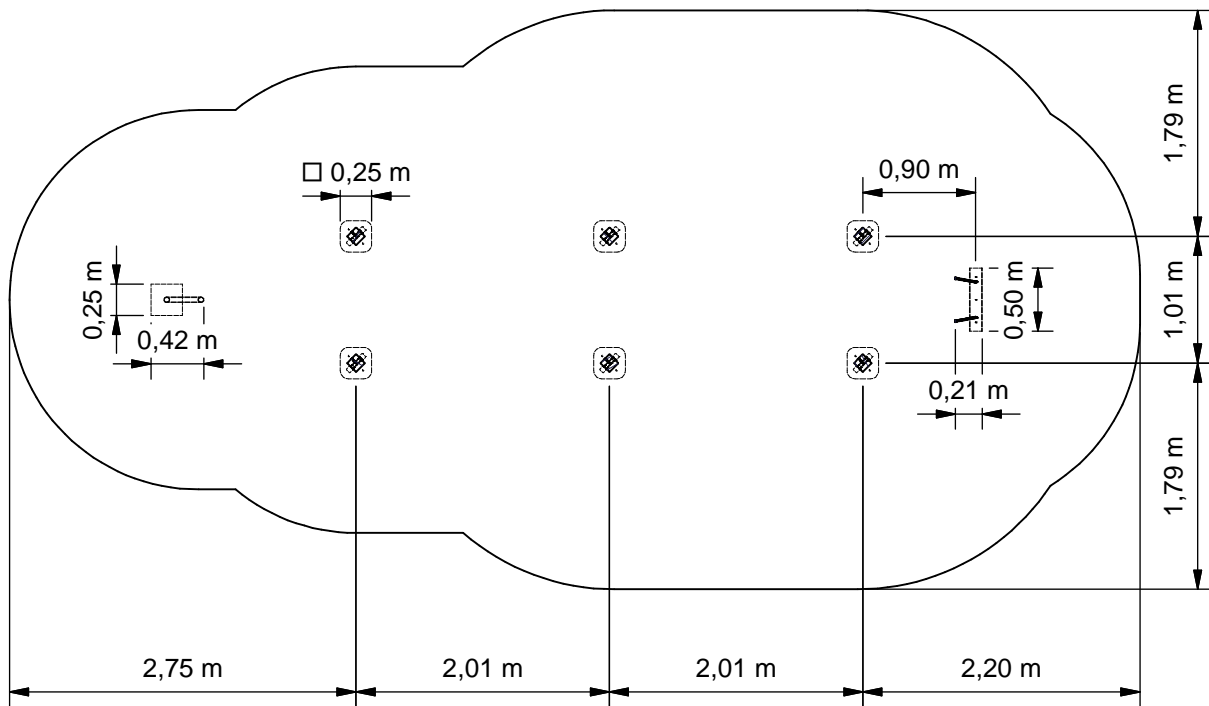
Afmetingen Dimensions



Benaming / Title: Vrijbuiters
 Opmerking / Comment: Hardhout
 Datum / Date: 23-8-2012

Tekening / Drawing

TOE VRB 080 953 A
 Obstakelvrije zone / Obstacle free zone



Benaming / Title: Vrijbuiters
 Opmerking / Comment: Hardhout
 Datum / Date: 23-8-2012

Tekening / Drawing

TOE VRB 080 953 A

Bodemplan Groundplan

Geleverde modules:

Zie tabel

Supplied modules:

See table

Montageinstructie:

- De hoofdmaten geven de maten van de staanders en vloeren aan
- De detailtekeningen geven specifiek de maten van de verbindingen aan
- De modules met buizen zijn op de tekeningen bemaat op bovenkant kopplaat
- Overige modules zijn bemaat op de bovenkant (klimwanden, paalkappen, etc.)

Assembly instruction:

- The main dimensions indicate the dimensions of the posts and floors
- The detailed dimensions show the specific dimensions of the connections
- The modules which contain tubes are dimensioned at the top of the flanges
- Other modules are dimensioned at the top (climbing walls, caps for the posts, etc.)

Montagevolgorde:

- 1 - Graaf de gaten volgens het bodemplan
- 2 - Assembleer toren 3(4x),5(2x),4
- 3 - Plaats toren
- 4 - Plaats 3(2x),6 en verbind deze aan toren
- 5 - Plaats 1,2 en verbind deze aan toren
- 6 - Controleer of het toestel voldoet aan de afmetingen zoals op blad 'afmetingen'
- 7 - Dicht de gaten en verdicht het zand

Installation sequence:

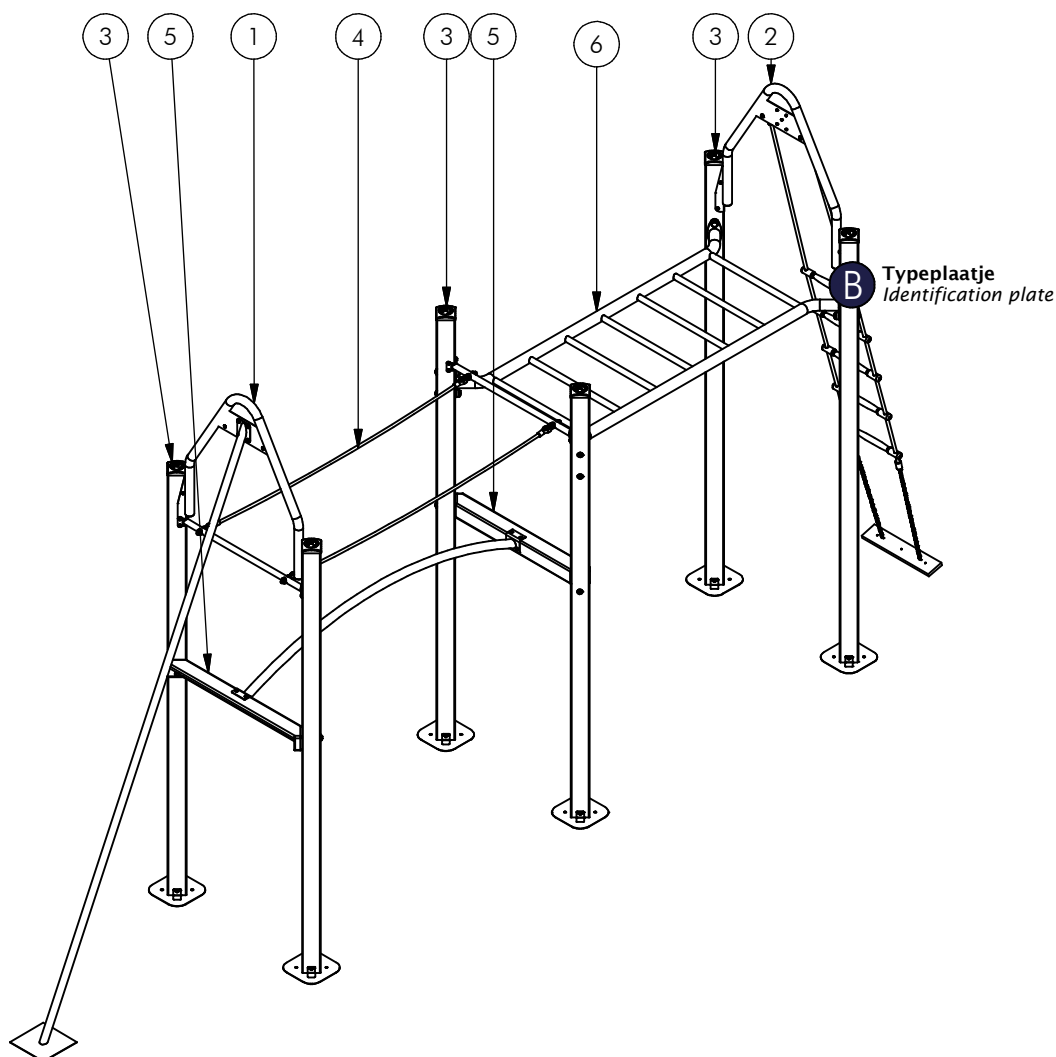
- 1 - Dig the holes according to the ground plan
- 2 - Assemble tower 3(4x),5(2x),4
- 3 - Place tower
- 4 - Place 3(2x),6 and attach it to tower
- 5 - Place 1,2 and attach it to tower
- 6 - Check that the unit conforms to the dimensions on sheet 'dimensions'
- 7 - Close the holes and compacted the sand

Controles:

- 1 - Correcte opbouw en alle bevestigingsmiddelen
- 2 - Controleer de afmetingen van de valbodem t.o.v. het toestel

Checks:

- 1 - Correct assembly and all the fasteners
- 2 - Check the dimensions of the safety area with regard to the play equipment



Nr	#	Type	Progr.	Volgnr	Bew.	Rev.	Benaming	Opmerking
1	1	MOD	VRB	HHT	022		GLIJPAAL	VLOER 93 CM
2	1	MOD	VRB	HHT	024	A	KLIMLADDER	VLOER 93 CM
3	6	MOD	VRB	HHT	052		STAANDER	213 CM
4	1	MOD	VRB	HHT	140		OVERSTEEK	DUBBEL TOUW
5	2	MOD	VRB	HHT	171		BOOGVLOER	AANBOUW
6	1	MOD	VRB	HHT	186		Vast Enterrek	Vrijbouter



Benaming
Title: Vrijbouter

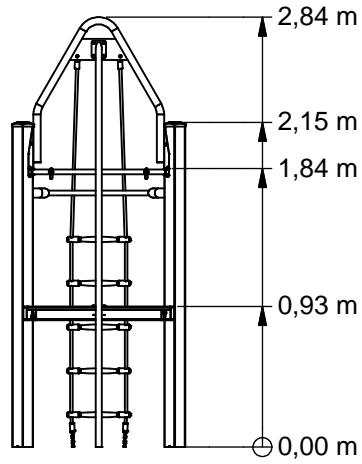
Opmerking
Comment: Hardhout

Datum
Date: 23-8-2012

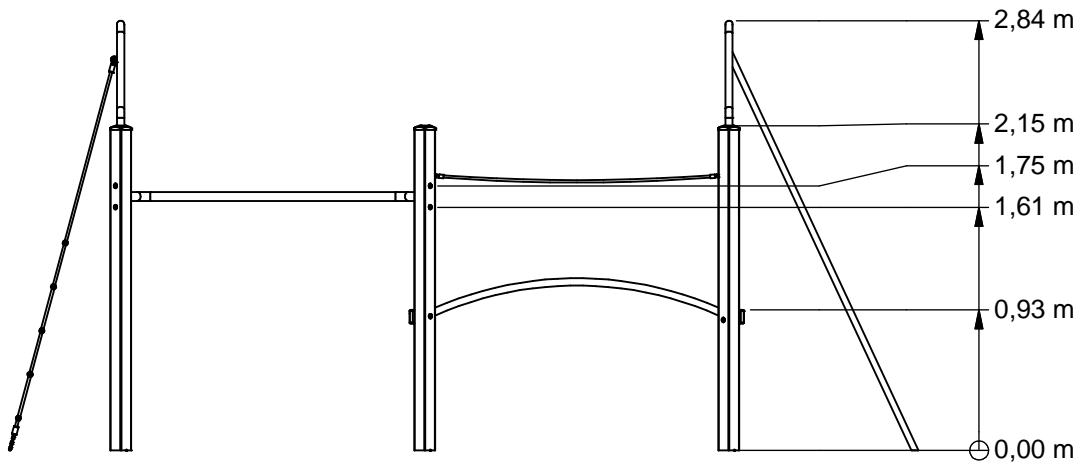
Tekening
Drawing

TOE VRB 080 953 A

Modules Modules



Voor
(Front)



Links
(Left)



Benaming
Title Vrijbuiters

Opmerking
Comment Hardhout

Datum
Date 23-8-2012

Tekening
Drawing

TOE VRB 080 953 A

Afmetingen Dimensions

VRBE080.953

Combination equipment

LOGBOOK

(Onderstaand logboek kan gebruikt worden om te voldoen aan de eisen, gesteld in artikel 14 van het Warenwetbesluit Attractie- en Speeltoestellen)

Type indication	Nature Play
Product code	VRBE080.953
Name of equipment	Vrijbuitter Klimklautertoestel
Maximum height of fall	1,8 m
Year of construction	2017
Certificate	09200116201
inspection authority	Liftinstituut B.V. Buikslotermeerplein 381, A'dam - 1025 XE Amsterdam
Name manufacturer	BOERplay Hyacintstraat 2 - 4255 HX Nieuwendijk Phone: +31 (0)183 40 23 66 Fax: +31 (0)183 40 35 64
name installer	_____ _____
Description of equipment	Combination equipment
Location of equipment	_____
Data about the owner of the play equipment	
Name:	_____
Address:	_____
Postcode and town:	_____
Contact person:	_____
Telephone number:	_____
Data about the administrator of the play equipment	
Name:	_____
Address:	_____
Postcode and town:	_____
Contact person:	_____
Telephone number:	_____

LOGBOOK

Inspection and maintenance intervals



Nr.	Inspection	Maintenance	months between inspections
1	Verify equipment's stability, junctions and missing parts. Inspect bolts, screws and nuts for absence, jams, corrosion and wear.	Add missing parts, secure joints, apply missing fixing agent and replace corroded parts.	1
2	Check suspension for wear.	Replace worn parts and/or remove non-functioning parts.	1
3	Inspect rotating parts such as hinges, rolling-element bearings, etc. for wear and acceptability.	Replace worn parts and/or remove non-functioning parts.	1
4	Check wood for splinters, unacceptable damage and signs of rot. Especially at ground level.	Repair damage. Replace affected wood. Smoothen splintered wood and sharp edges.	1
5	Inspect foundation for stability, tearing and coverage.	Restore foundation and covering material.	3
6	Examine rubber and synthetic parts for wear, damage and break.	Replace original parts.	3
7	Inspect metal for corrosion and damage in the coating.	Restore any damaged coating (after removing rust and applying primer).	6
8	Check ropes, cables, chains and nets for wear and damage. Steel cables and nets which are tensioned must be checked for tension.	Replace parts where necessary. Steel cables and nets must be tensioned.	3
9	Inspect equipment for unsafe changes and additions.	Remove unsafe additions and correct unsafe changes.	1
10	Inspect safety surfaces.	Restore and repair where necessary.	1

Remarks

1. If used intensively, all points require extra attention.
2. Extreme weather conditions and locations may require a higher inspection frequency. Discuss this with the supplier.
3. Vandalism-sensitive locations require stricter inspections, possibly daily.
4. Check the terrain regularly for items that do not belong there, are unsafe or may be used wrongly. Examples are poisonous plants, glass shards, etc. Frequency depends on strain.
5. Remember that bad maintenance leads to unsafe conditions and notably faster impoverishment of the playground area.
6. Replacement parts can be ordered at the manufacturer with the part numbers on the module drawing. Drawings can be found in de user guide.
7. The impact area shall be provided with impact attenuating surface according to the specified falling height.
8. This list is conform the CEN-standard "playground equipment and surfacing NEN-EN 1176-7".

TYPE-EXAMINATION CERTIFICATE

Acting under the "Warenwetbesluit Attractie- en Speeltoestellen" issued by Liftinstituut B.V.
commissioned by departmental order, no. VGP/PSL 2857566 from 27 Juni 2008.

Certificate nr. : NL 09-2001-162-01 Revision nr.: 200116201

Description of the product : Playground equipment, made up by modules

Trademark, type : Speelwijzer, MOD VRB: 001 t/m 019, 021 t/m 027, 029, 031,032, 034 t/m 062, 065, 066, 071 t/m 074, 076, 077, 079 t/m 082, 190 t/m 193

Name and address of the manufacturer : Speelwijzer
Nijverheidsstraat 8
5317 NL Nederhemert Noord

Name and address of the certificate holder : Speelwijzer
Nijverheidsstraat 8
5317 NL Nederhemert Noord

Certificate issued on the basis of the following requirements : Warenwetbesluit Attractie- en Speeltoestellen

Test laboratory : None

Date and number of the laboratory report : None

Date of type-examination : September 3th 2001, February 9th 2009

Annexes with this certificate : Report belonging to the type-examination certificate nr.: NL 09-2001-162-01

Additional remarks : This certificate supersedes type certificate dated June 21th 2002, with certificate number NL 01-2001-162-01

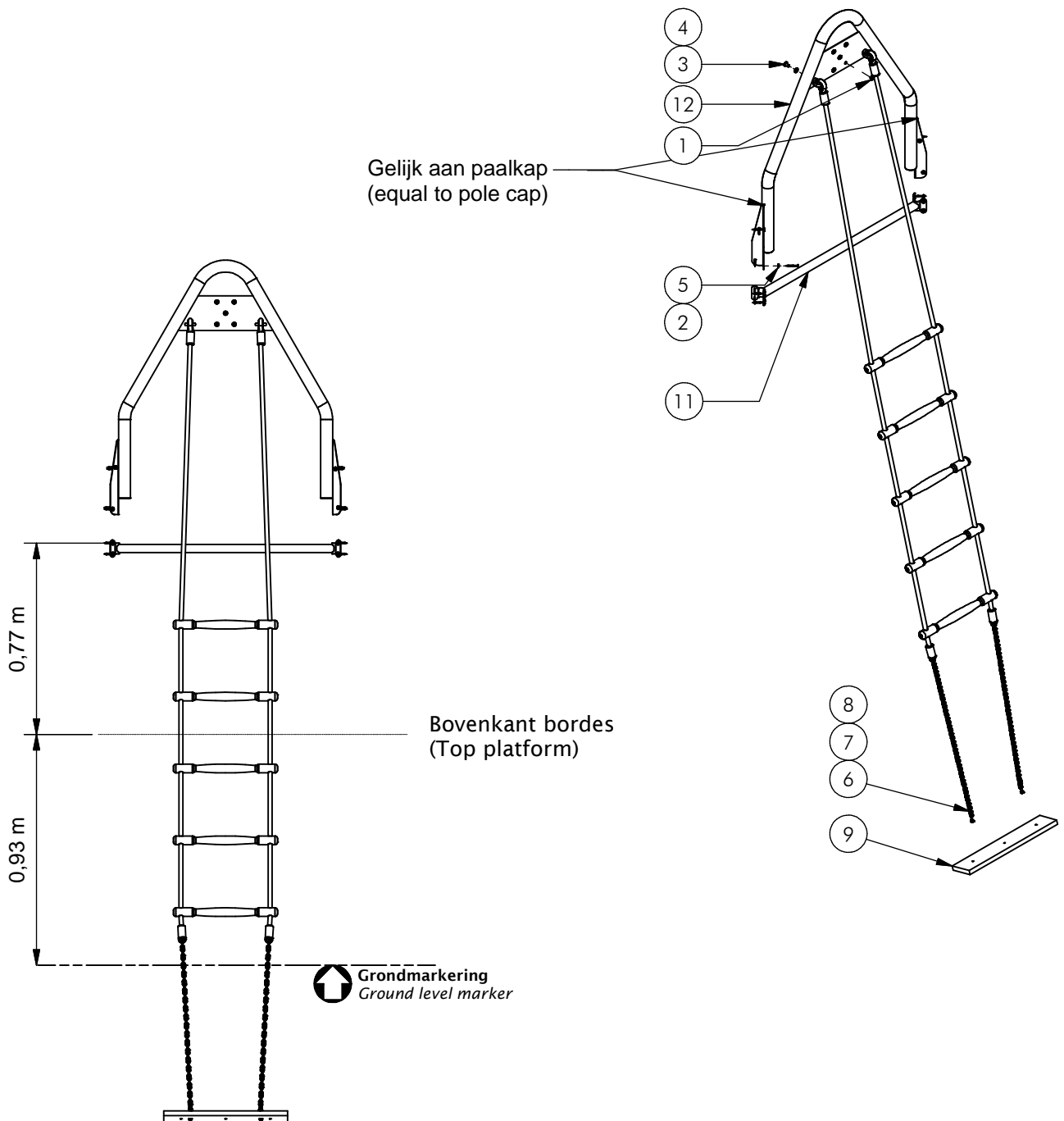
Conclusion : The playground equipment meets the requirements of the above specified European standard(s) and "Warenwetbesluit Attractie- en Speeltoestellen" taking into account any additional remarks mentioned above.



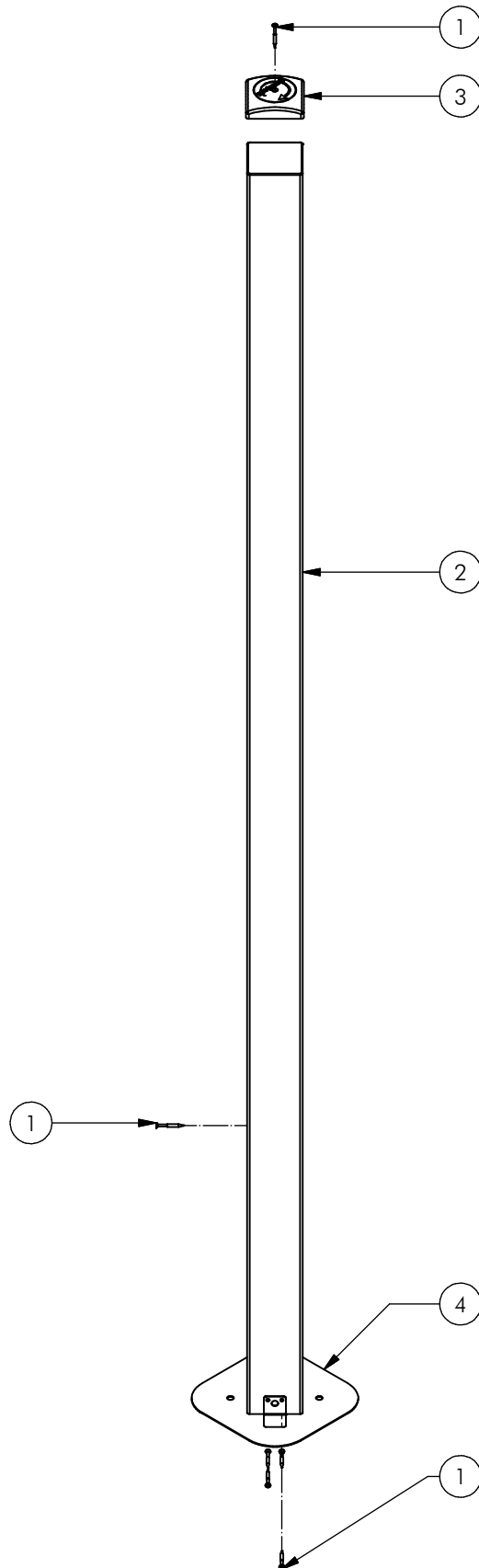
Issued in Amsterdam

Date of issue : April 7th, 2009

Ir. V.M.A. Barendregt
Senior Officer Certification &
Technology
Liftinstituut B.V.



Nr.	#	Type	Progr.	Volgnr.	Bew.	Rev.	Benaming	Opmerking
1	5	BSA	014	004	054		POPNAGEL	GROTE KOP
2	16	BSR	002	005	050		SCHROEF	5 x 50
3	2	BSR	023	010	016		Bolkopbout ISO 7380	M10 x 16 - RVS A2-70
4	2	BSR	030	010	002		SLUITRING	M10
5	16	BSR	036	005	015		Facet ring	M5 - RVS A2-70
6	2	BSV	017	006	005		Zeskantmoer	M6 - VZ 8.8
7	2	BSV	021	006	050		Zeskantbout ISO 4014	M6 x 50 - VZ 8.8
8	4	BSV	030	006	002		Sluitring	M6 - VZ 8.8
9	1	KST	APL	050			Ankerplaat	500x100x19
10	2	KST	DOP	006	030		OPVULDOPJE	6 MM ROOD
11	1	SME	VRB	505	320	D	SYSTEEMBUIS	VRIJBUITER RVS
12	1	SME	VRB	512	320	E	KLIM/GLIJ BEUGEL	RVS
13	1	SNT	VRB	100	POM	D	KLIMLADDER	VLOER 93 CM
14	1	VAL	VRB	MOD	023	A	BENAMING	OPMERKING



Nr	#	Type	Progr.	Volgnr	Bew.	Rev.	Benaming	Opmerking
1	6	BSR	002	005	050		SCHROEF	5 x 50
2	1	OHO	HHT	100	012		Staander HHT	100x100, lengte=2730
3	1	OME	KAP	100	ZMK		PAALKAP 100	Zamak, RAL 5003
4	1	OME	VRB	903	VZP	C	Voetplaat	100 x 100



Benaming
Title STAANDER

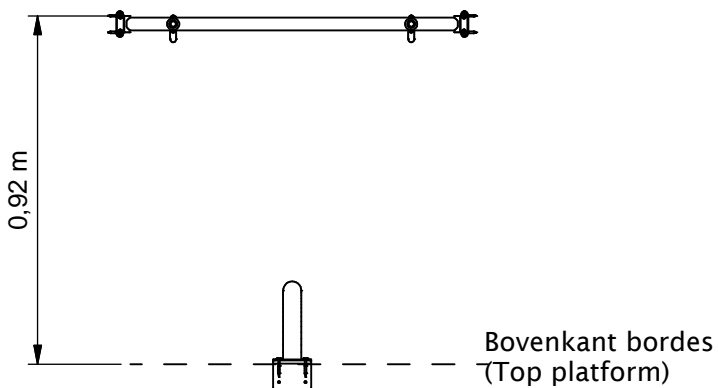
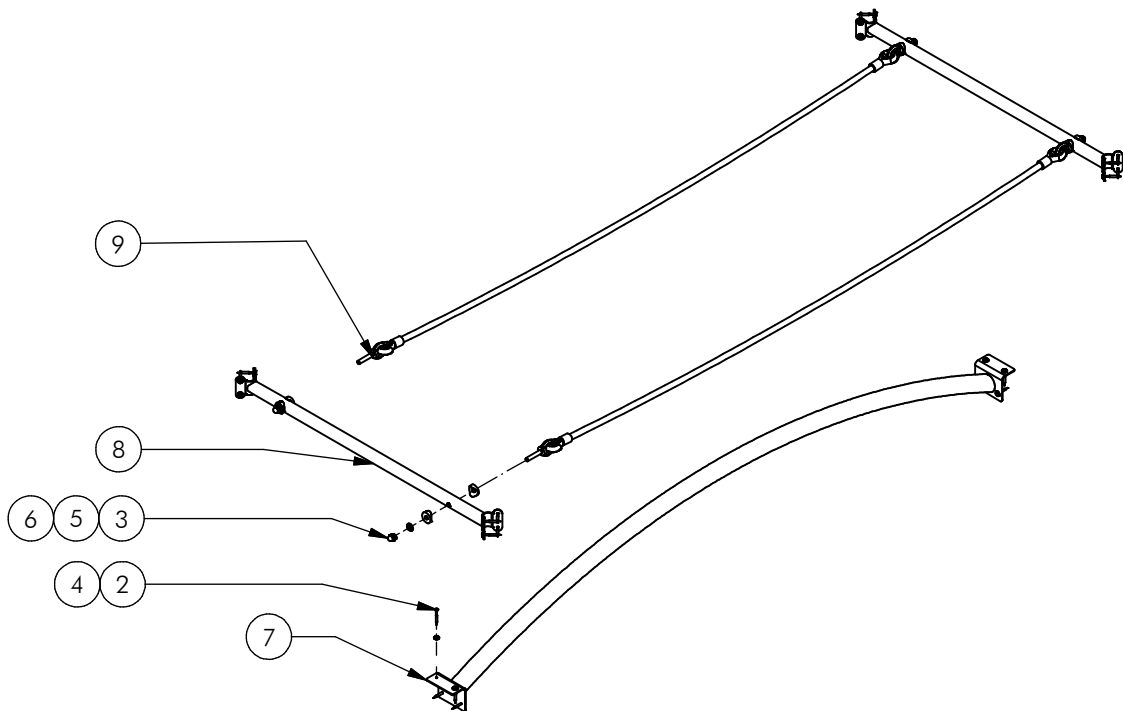
Opmerking
Comment 213 CM

Datum
Date 22-11-2006

Tekening
Drawing

MOD VRB HHT 052

Samenstelling module *Assembly module*



Nr	#	Type	Progr.	Volgnr	Bew.	Rev.	Benaming	Opmerking
1	4	BSR	002	005	040		Schroef Assy	5 x 40 - RVS A2-70
2	20	BSR	002	005	050		Schroef Assy	5 x 50 - RVS A2-70
3	4	BSR	011	010	020		DOPMOER	BORG RVS M10
4	24	BSR	036	005	015		Facet ring	M5 - RVS A2-70
5	4	KST	ROR	010	000		RING NYLON	M10 x 2.5 MM
6	8	KST	T33	010	000		ZADELRING	BUIS 33.7
7	1	SME	VRB	040	320	B	LOOPBUIS	2 M
8	2	SME	VRB	046	320	A	SYSTEEMBUIS	OVERSTEEK
9	2	SNT	VRB	027	BLW	A	OVERSTEEKTOUW	DUBBELE

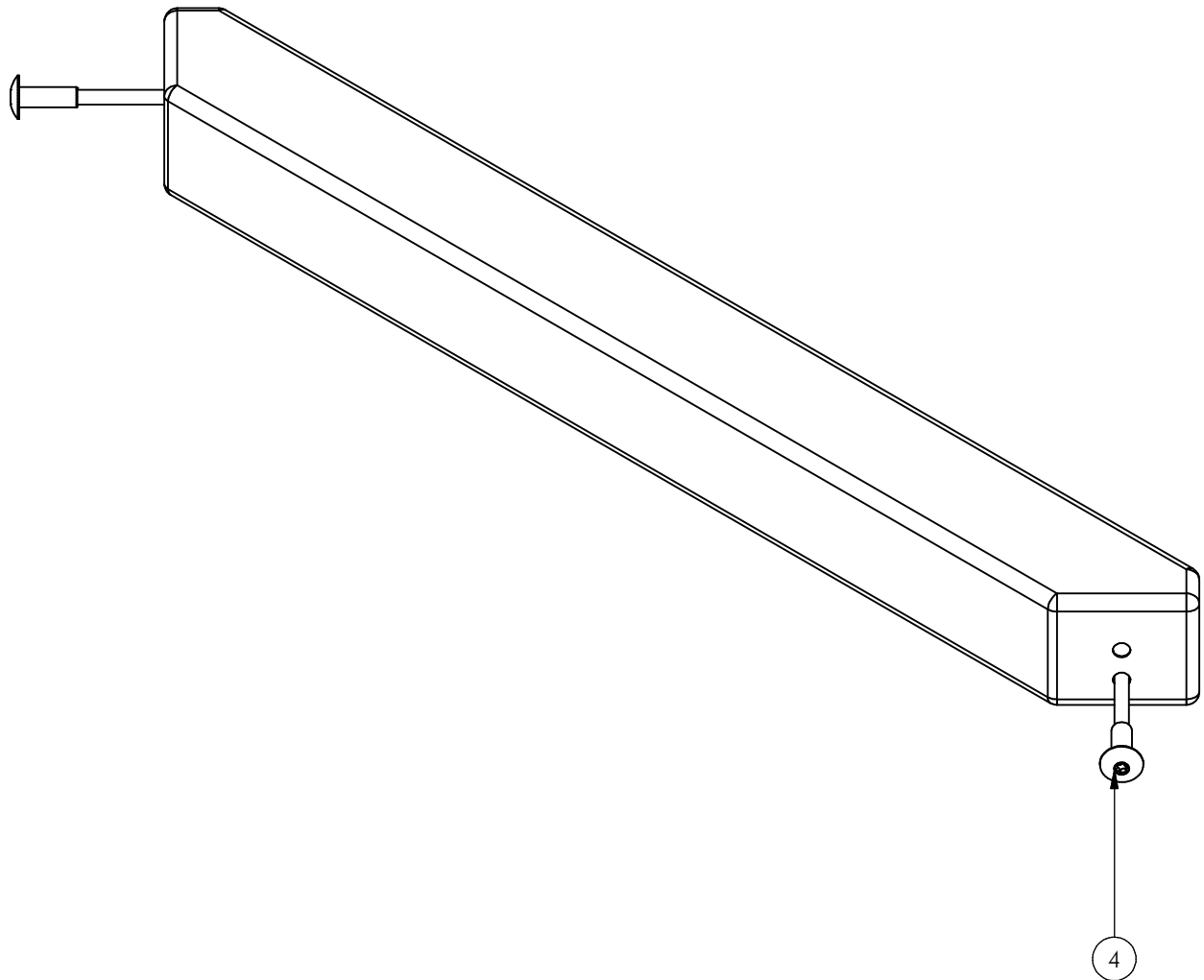


Benaming Title OVERSTEEK
 Opmerking Comment DUBBEL TOUW
 Datum Date 22-9-2006

Tekening Drawing

MOD VRB HHT 140

Samenstelling module Assembly module



Nr	#	Type	Progr.	Volgnr	Bew.	Rev.	Benaming	Opmerking
1	2	BSR	021	010	110		Zeskantbout	M10 x 110 - RVS A2-70
2	2	BSR	035	010	030		CARROSSERIERING	M10 x 30 x 2,5
3	2	KST	LAM	015	005		LAMELLENSTOP	ROND 15
4	2	RNT	BUS	M10	040		DRAADBUS	M10 x 40
5	1	SHO	VRB	007	COA	B	Vloer VRB	Rand



Benaming
Title BOOGVLOER

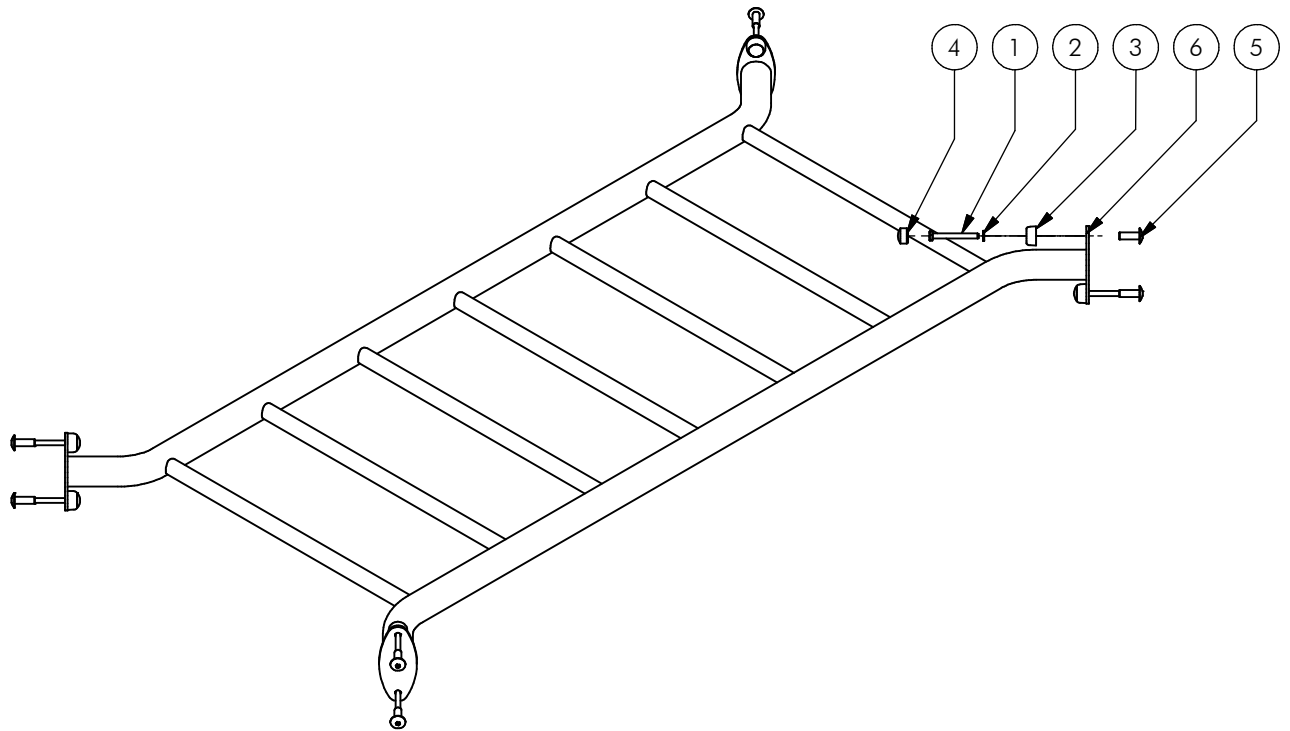
Opmerking
Comment AANBOUW

Datum
Date 11-8-2008

Tekening
Drawing

MOD VRB HHT 171

Samenstelling module *Assembly module*



6	1	SME	VRB	620	320	Vast Enterrek	Vrijbouter	
5	8	RNT	BUS	M10	040	DRAADBUS	M10 x 40	
4	8	KST	DOP	010	030	Beschermdop M10-M12	Dop rood	
3	8	KST	DON	010	030	Beschermdop M10-M12	Donut Rood	
2	8	BSR	030	010	002	SLUITRING	M10	
1	8	BSR	021	010	090	ZESKANTBOUT	M10 x 90	
POS	N	TYPE	PROJ.	NR.	BEH.	R	BENAMING	OPMERKING



Benaming
Title Vast Enterrek

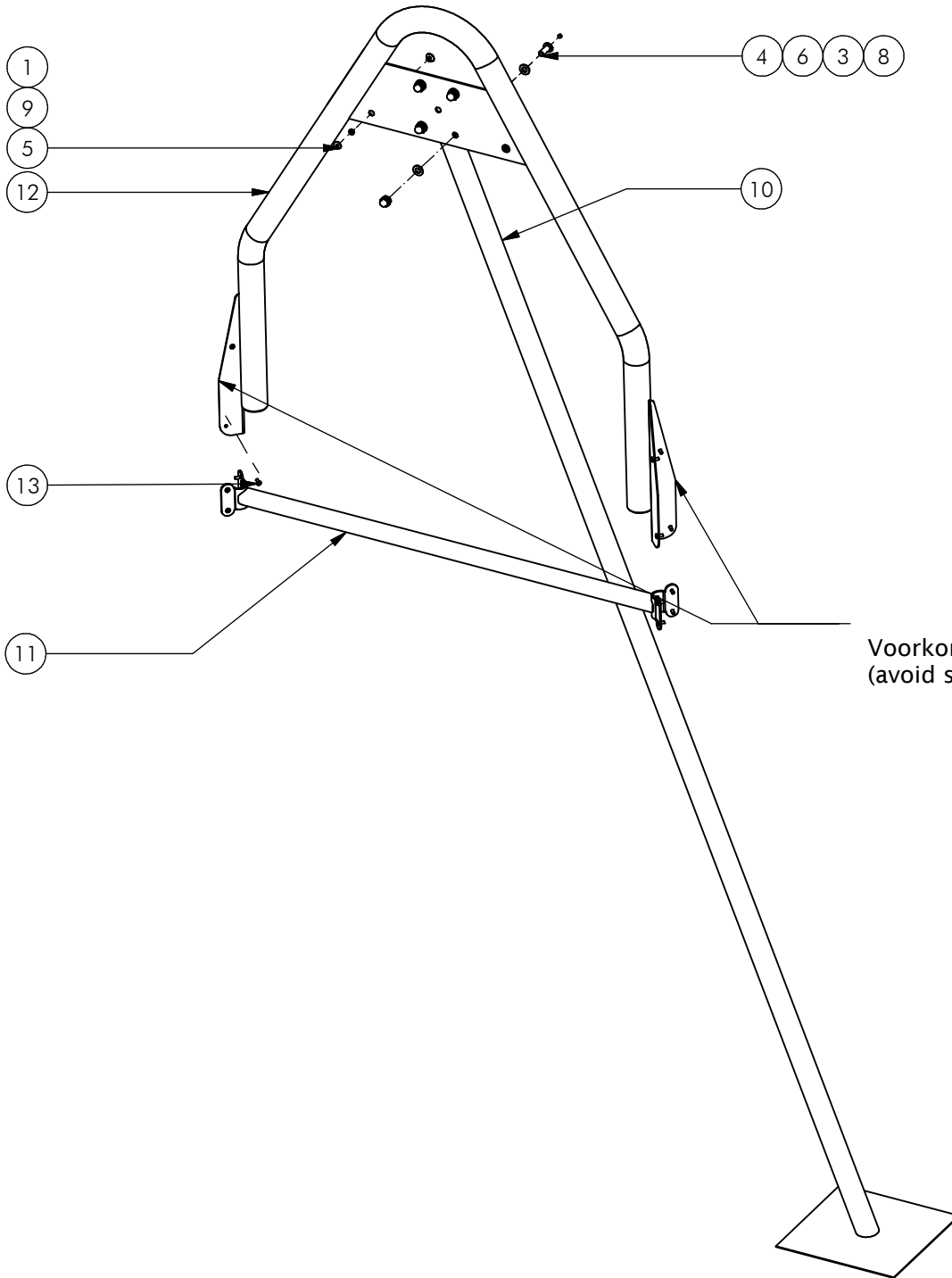
Opmerking
Comment Vrijbouter

Datum
Date 23-3-2009

Tekening
Drawing

MOD VRB HHT 186

Samenstelling module *Assembly module*



Nr	#	Type	Progr.	Volgnr	Bew.	Rev.	Benaming	Opmerking
1	2	BSA	014	004	054		POPNAGEL	GROTE KOP
3	4	BSR	011	010	020		DOPMOER	BORG RVS M10
4	4	BSR	023	010	025		BOLKOP SCHROEF	ISO 7380 - M10 x 25
5	2	BSR	030	005	001		Sluitring	M5 - RVS A2-70
6	8	BSR	030	010	002		SLUITRING	M10
8	4	KST	DOP	006	030		OPVULDOPJE	6 MM ROOD
9	2	KST	RNG	005	003		RING	KUNSTSTOF
10	1	SME	VRB	005	320	E	GLIJPAAL	VLOER 93 CM
11	1	SME	VRB	505	320	D	SYSTEEMBUIS	VRIJBUITER RVS
12	1	SME	VRB	512	320	E	KLIM/GLIJ BEUGEL	RVS
13	16	BSR	014	005	050		BOLKOPKLINKNAGEL	4.8X12



Benaming
Title GLIJPAAL

Opmerking
Comment VLOER 93 CM

Datum
Date 1-12-2016

Tekening
Drawing

MOD VRB RVS 022 A
 Samenstelling module Assembly module