



# Nature Play

## VRBE060.747

Combination equipment



# VRBE060.747

Combination equipment



1+



4 - 80



3.5 x 1.2 x 2.9 m



6.3 x 4.7 m



6.8 x 4.7 m



1.6 m

## Playfunctions

Sliding, climbing equipment, climbing, climbing wall

## Material

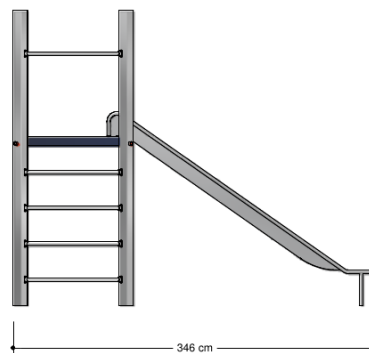
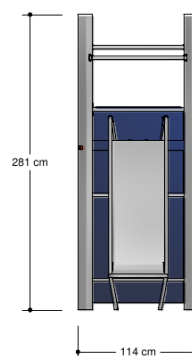
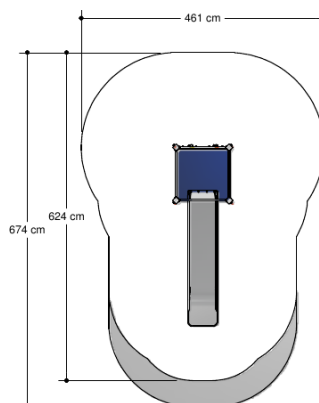
All metal parts are made of stainless steel 304. Floors, walls, climbing walls have a 'wooden' base and are covered with a durable plastic coating. Wall and roof panels are an outdoor quality colored HPL laminate. Connections consist of stainless steel and are, where necessary, covered with a plastic cap. The ropes are made of 16 mm vandal proof Hercules rope.

## Anchorage

The posts go to a depth of 60 cm in the ground with at the bottom a steel plate to increase the support. Concrete is not required.

## Comments

If the soil does not contribute to the stability it may be necessary to add concrete.



## Opvangzone

Impact area

□ WAS, Dutch law

□ EN1176

## Obstakelvrije zone

Obstacle free zone

■ WAS, Dutch law

■ EN1176

